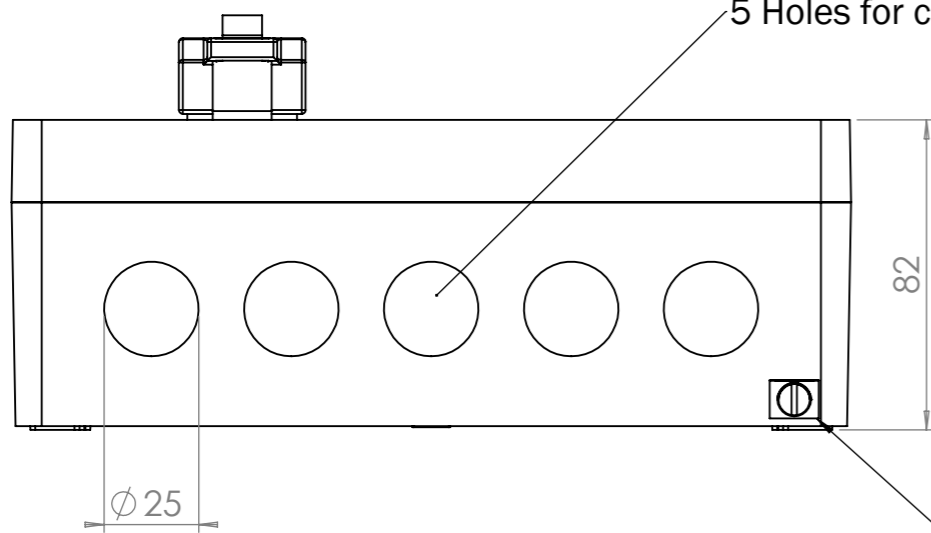
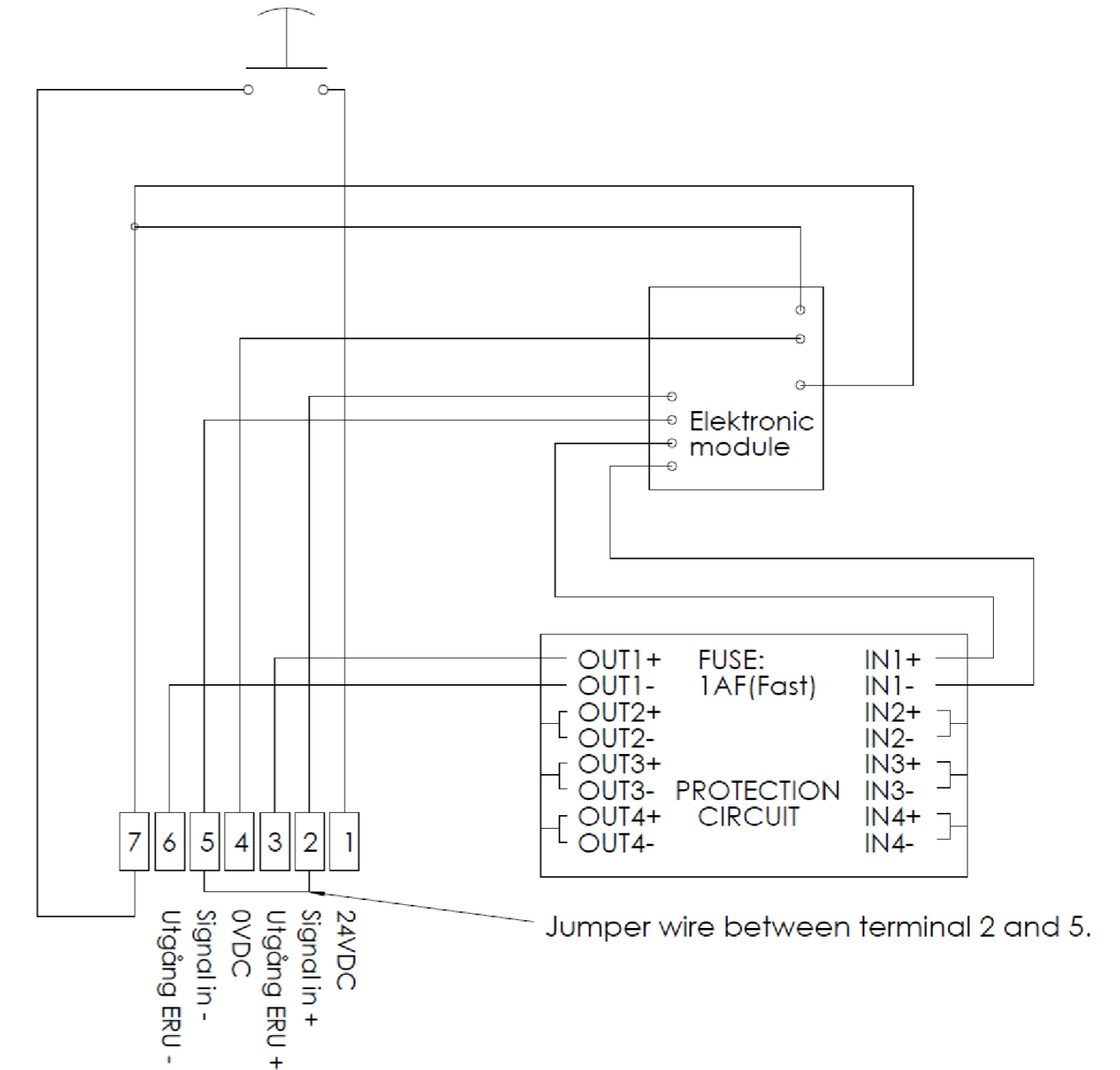
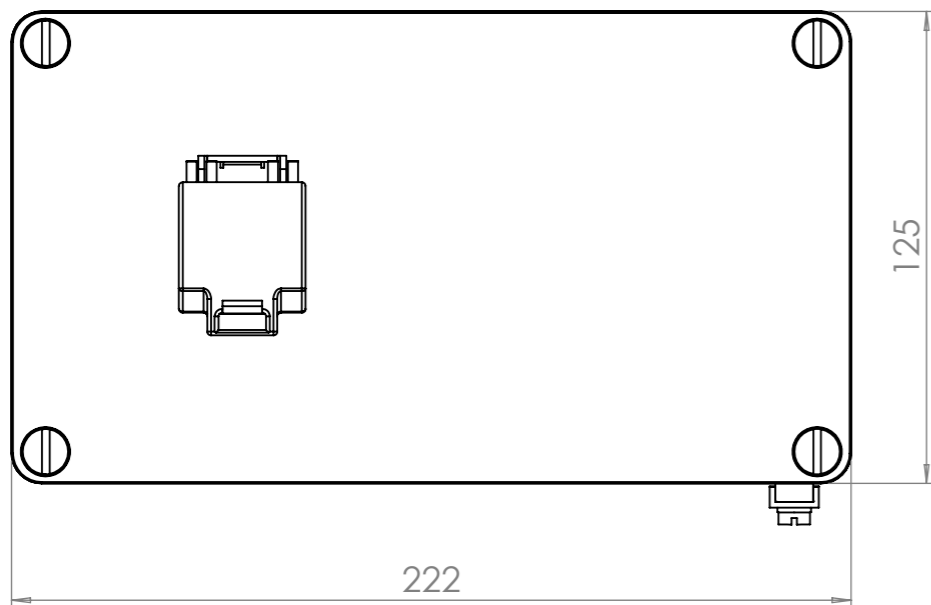


Mounting holes



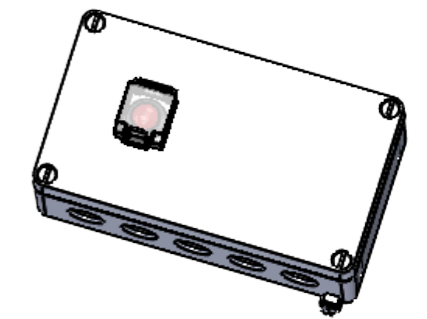
5 Holes for cable glands or plugs


GND connection



Connection schedule

Jumper wire between terminal 2 and 5.



General tolerance: Metallic materials - ISO 2768-f Sharp edges to be broken						Date: (yyyy-mm-dd) 2024-10-10
ViAr	JoUn	FrJa	1:2	A3	-	Surface Finish:
Drawn	Checked	Approved	Scale	Sheet	Material	Draw.No.
 <b>Release switch HD</b>						<b>CD000024</b>
						Rev.: 1
Tel.: +46 31 709 65 50			Sheet1 of 1			